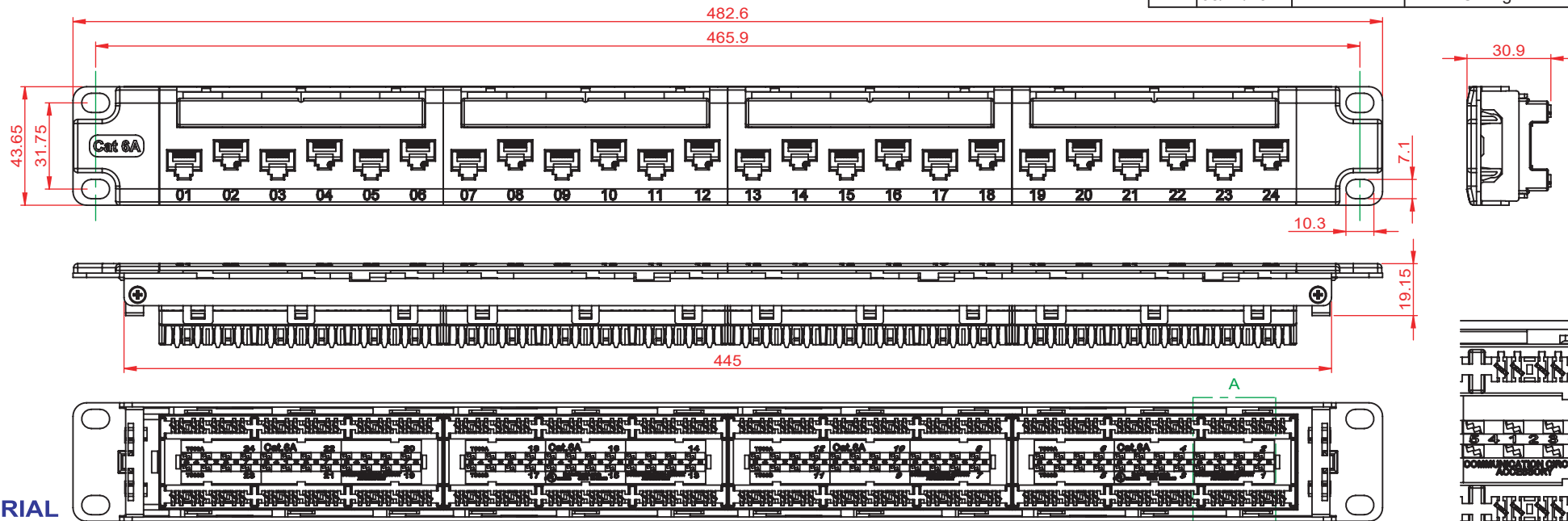


NOTE: ALL MATERIAL COMPLIANT ROHS STANDARD

ACCORDING TO : ANSI/TIA-568-C.2
 ISO/IEC 11801
 IEC 60603-7
 IEEE 802.3at Power over Ethernet Plus (PoE+) application
 IEC 60512-99-001 Mating and un-mating connectors under electrical load

REVISION INFORMATION			
Rev.	Rev. Date	Modified By	Brief Description
V0	03/18/2022	Mark	Initial issue
V1	03/24/2022	Mark	Changed outer box



MATERIAL

PANEL : SPCC
 SHIELDED CASE : BRASS,NICKEL PLATED.
 PLASTIC FRAME : ABS,UL94V-0.
 CONTACT HOLDER : PC,UL94V-0.
 JACK CONTACTS : PHOSPHOR BRONZE,50U" GOLD PAINTING.
 IDC PLASTIC : PC,UL94V-0.
 IDC TERMINALS : PHOSPHOR BRONZE,TIN OVER NICKEL UNDERCOAT.

PHYSICAL CHARACTERISTICS

SUITABLE IMPACT TOOL : 110/KRONE STYLE PUNCH DOWN TOOL.
 INSERTION LIFE : 750 MATING CYCLES WITH FCC COMPLIANT 8P PLUG.
 CONTACT FORCE : 100 GRAMS WITH FCC COMPLIANT
 PLUG RETENTION FORCE : 11 LBF MIN.
 DURABILITY : 200 TERMINATION CYCLES.
 CONTACT COMPATIBILITY : ACCOMMODATES 22 TO 24 AWG SOLID.
 OPERATING TEMPERATURE RANGE : -10
 STORAGE TEMPERATURE RANGE : -40
 HUMIDITY : 10%~90%RH.

ELECTRICAL

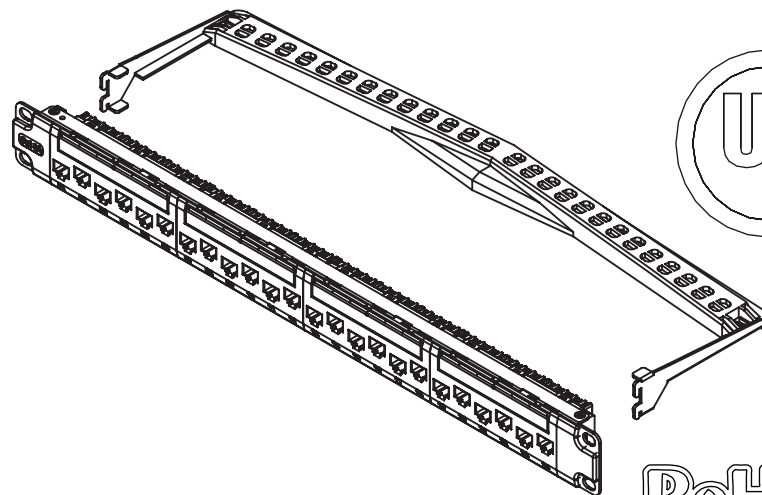
INSULATION RESISTANCE : 500 MΩ.
 DIELECTRIC WITHSTANDING VOLTAGE : 1000 V AC.
 DC CURRENT RATING : 1.5 Amps.
 DC RESISTANCE : 0.1Ω.
 CONTACT RESISTANCE : 20mΩ.

NOTE

WILL NOT SUPPORT CHANNEL SHORTER THAN 15M.
 ONLY ACCEPT RJ-45 8P8C PLUG.

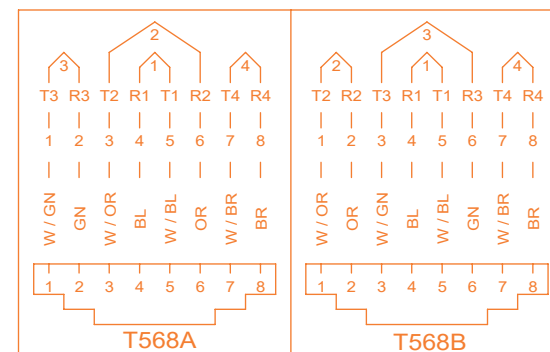
REAR VIEW

DETAIL A



Cat 6A

56Y4
 E145249



③	INSTRUCTION	210x297MM	1	PC
②	I.D. PAPER	87x12.6MM	4	PCS
①	CABLE TIE	2.5*101MM	8	PCS
NO.	PART NAME	SPECIFICATION DESCRIPTION	QT'Y	UNIT

Unless specified on the drawing, tolerances are per the follows:
 . +1
 .x +0.2
 .xx +0.05

DRAWN BY	Mark	DATE:	03/24/2022	DESCRIPTION:	Cat.6A 110 Type UTP 24Port Patch Panel. Rackmount UL Listed.
CHECKED BY		SHEET 1 of 4		ITEM NO.	102200
APPROVED BY		SCALE 1:3	REV. 01	UNIT:mm	